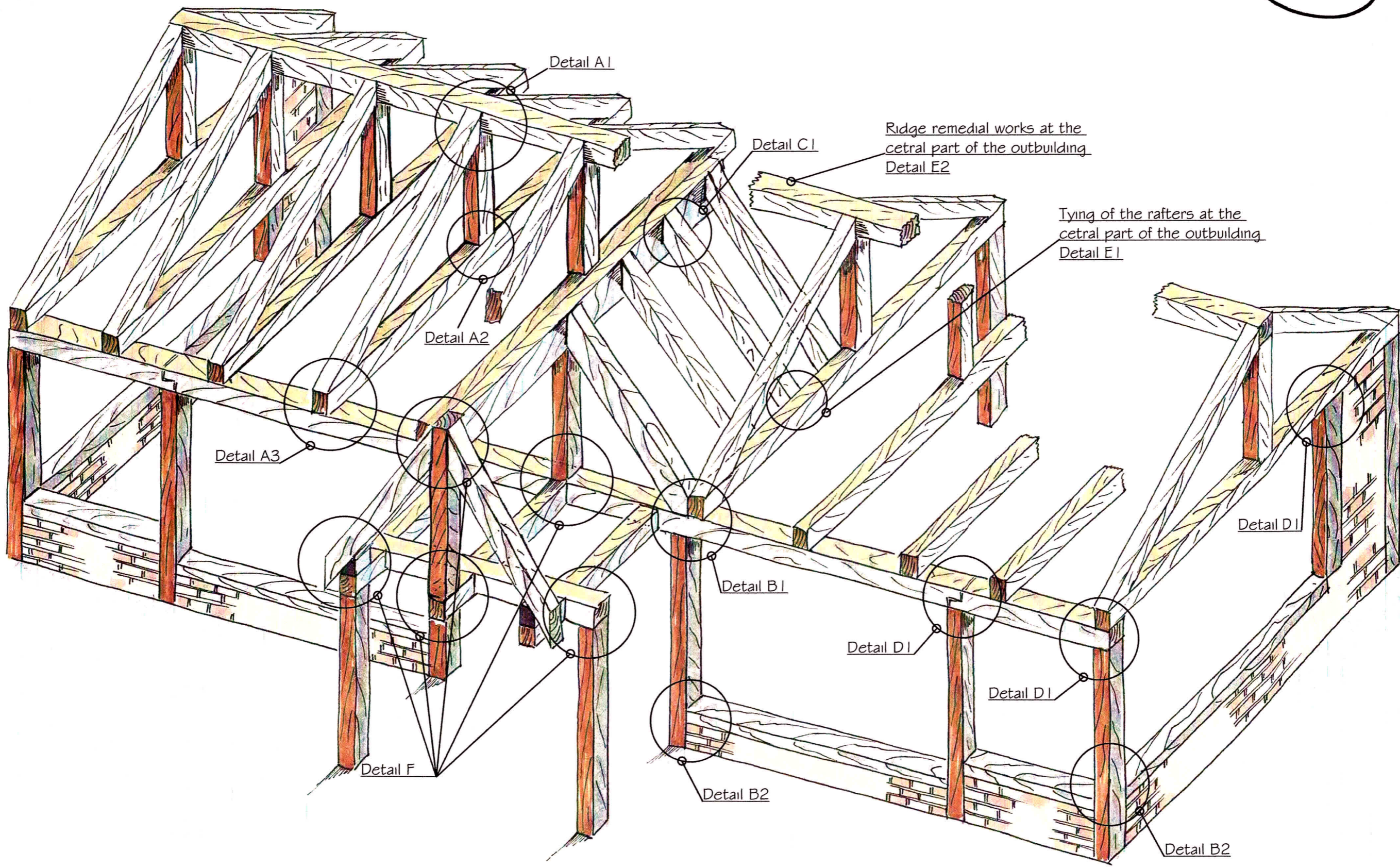
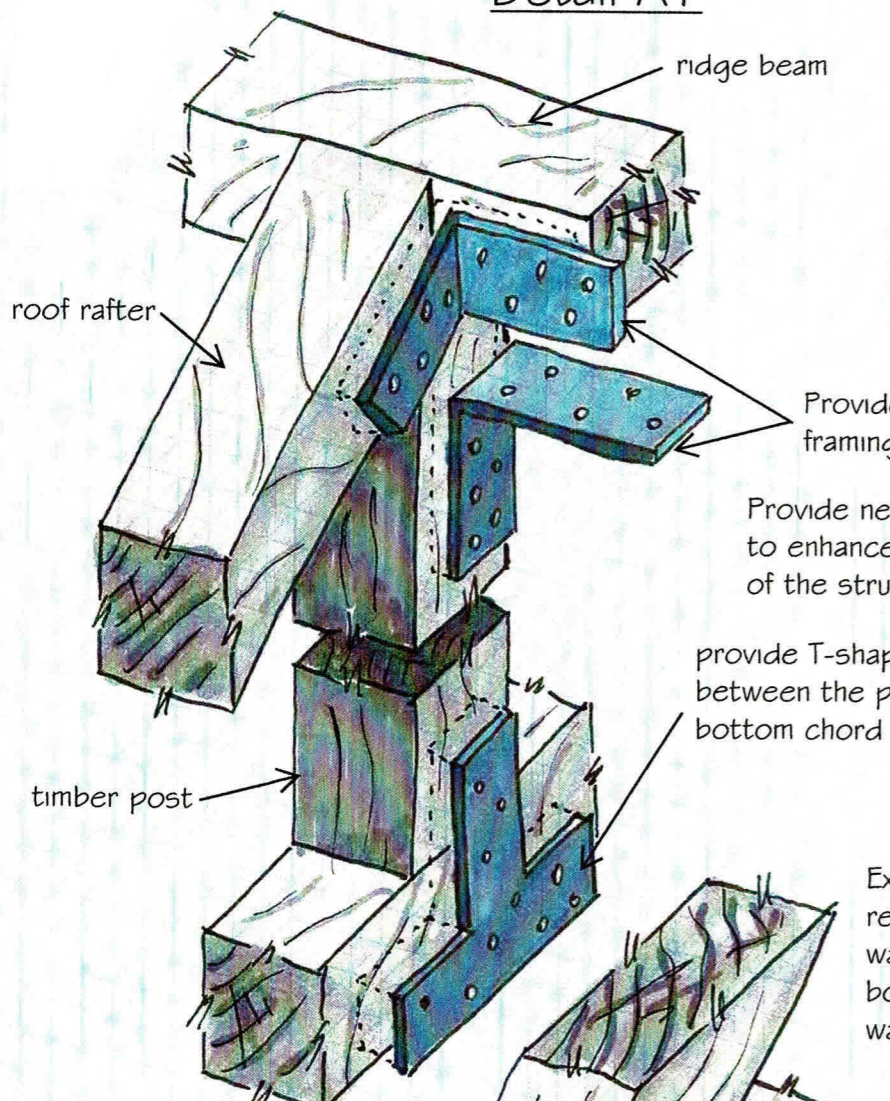


Sketch SK01 - Remedial works to the outbuilding

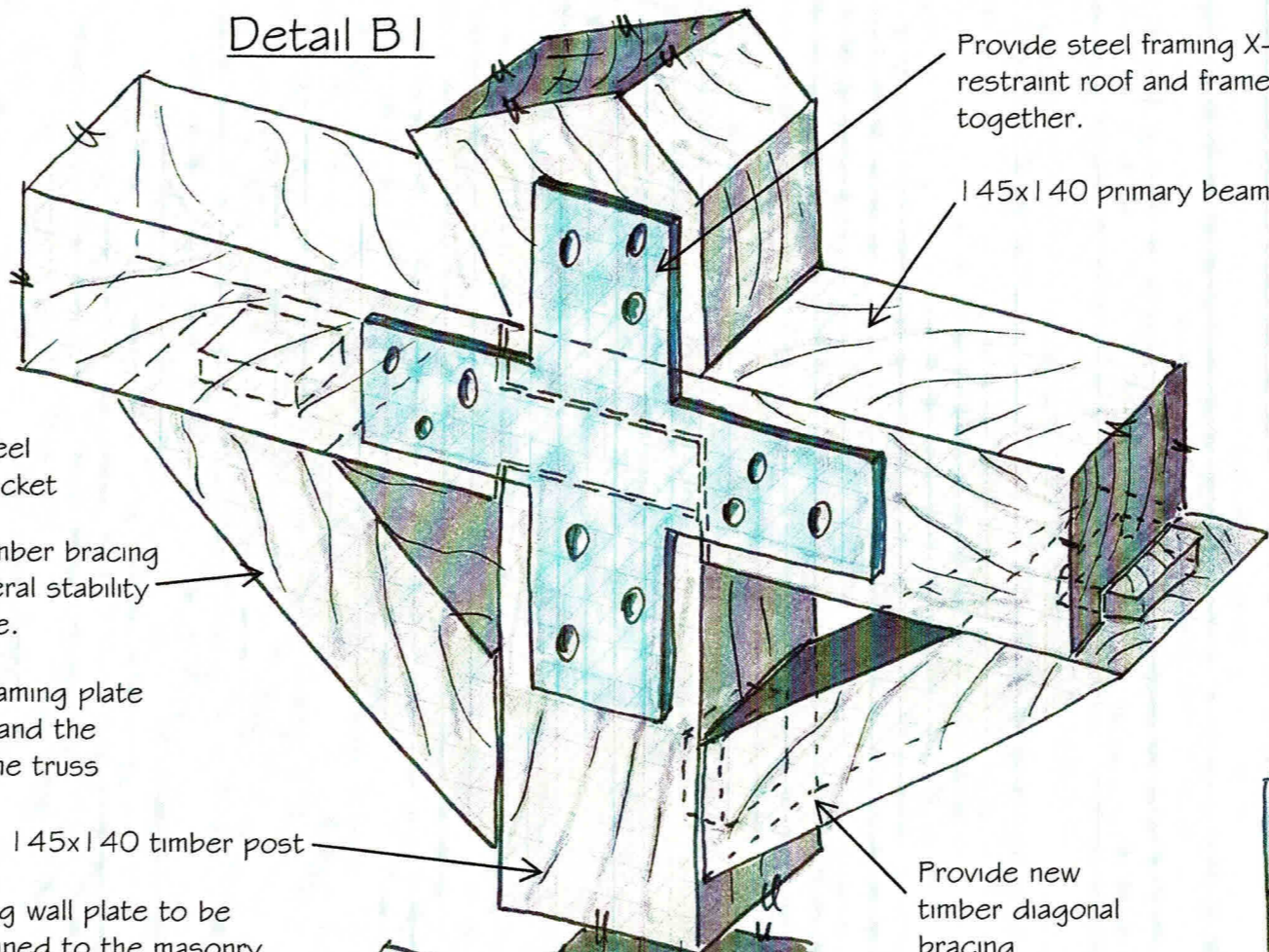


Existing garden outbuilding

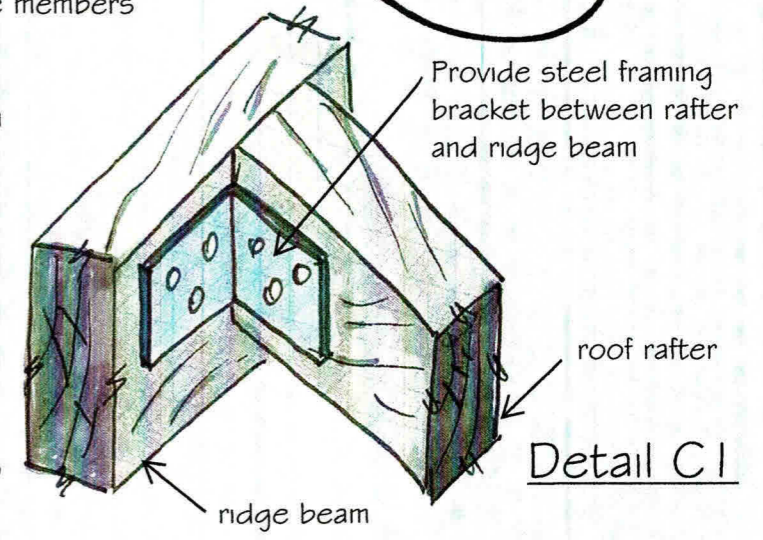
Detail A1



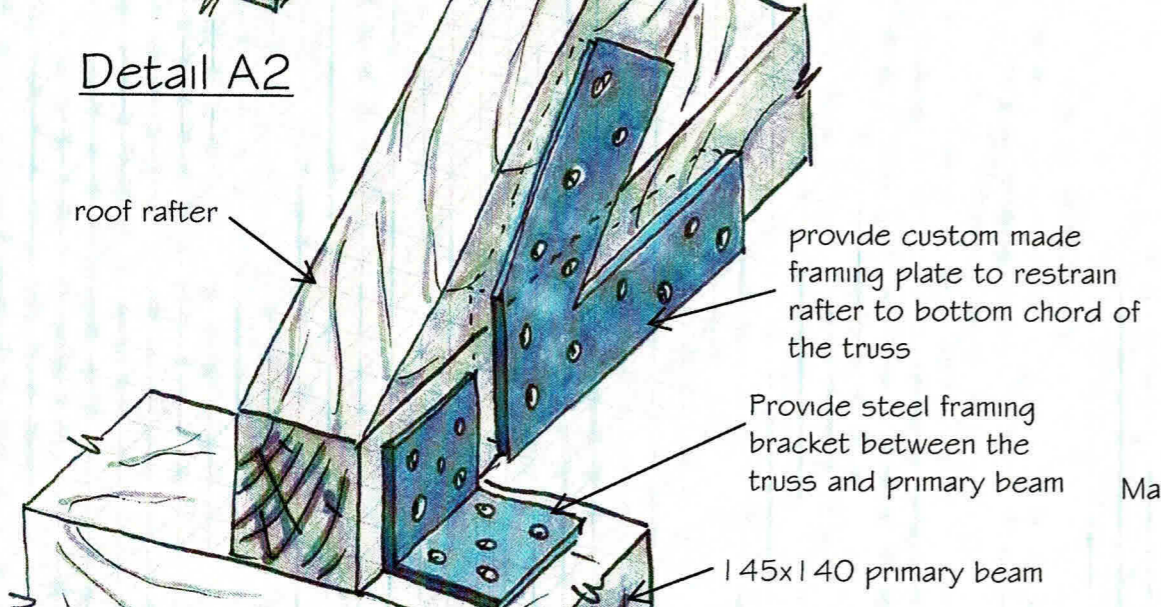
Detail B1



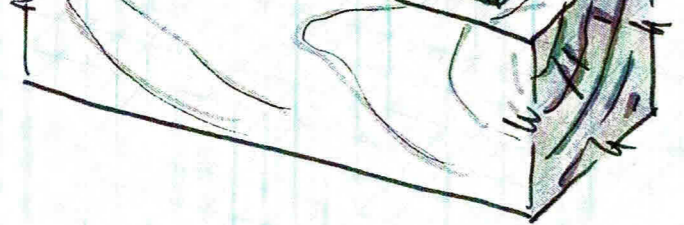
Detail C1



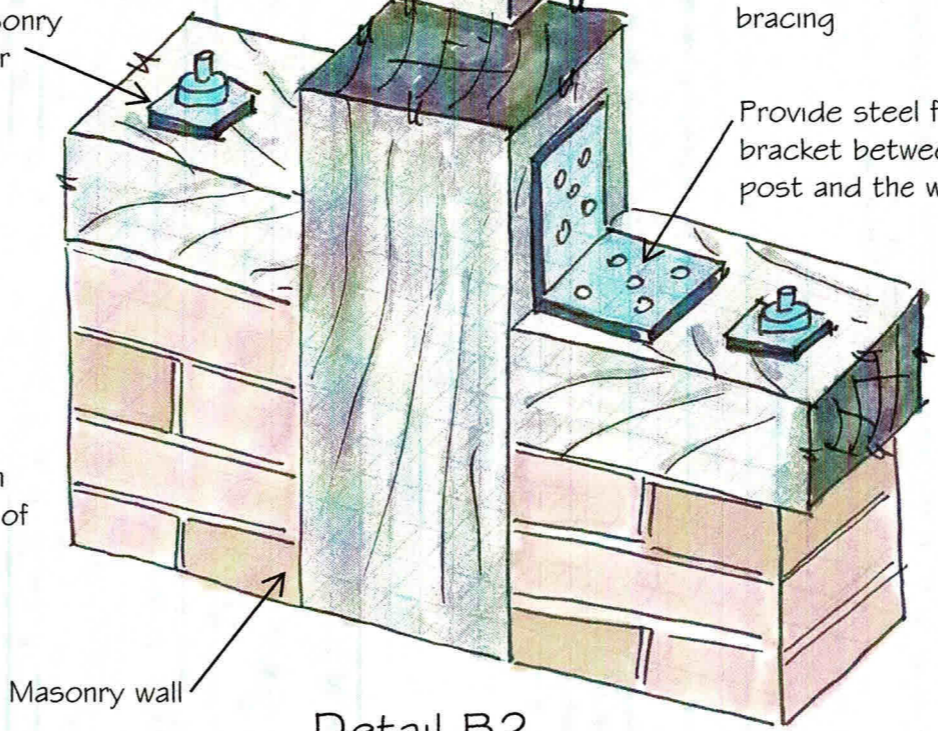
Detail A2



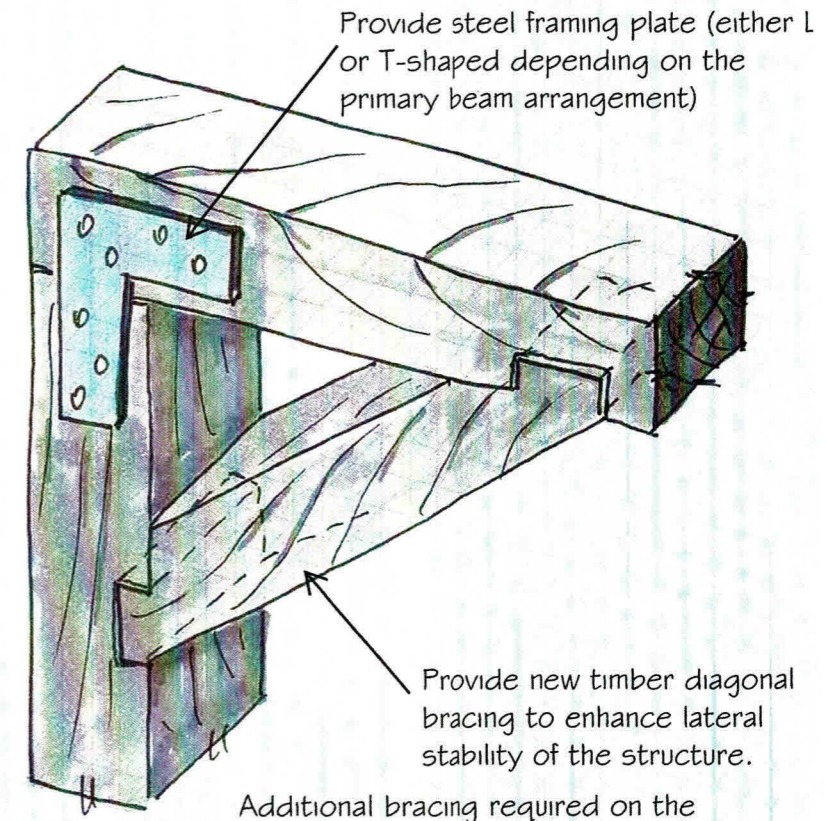
Detail A3

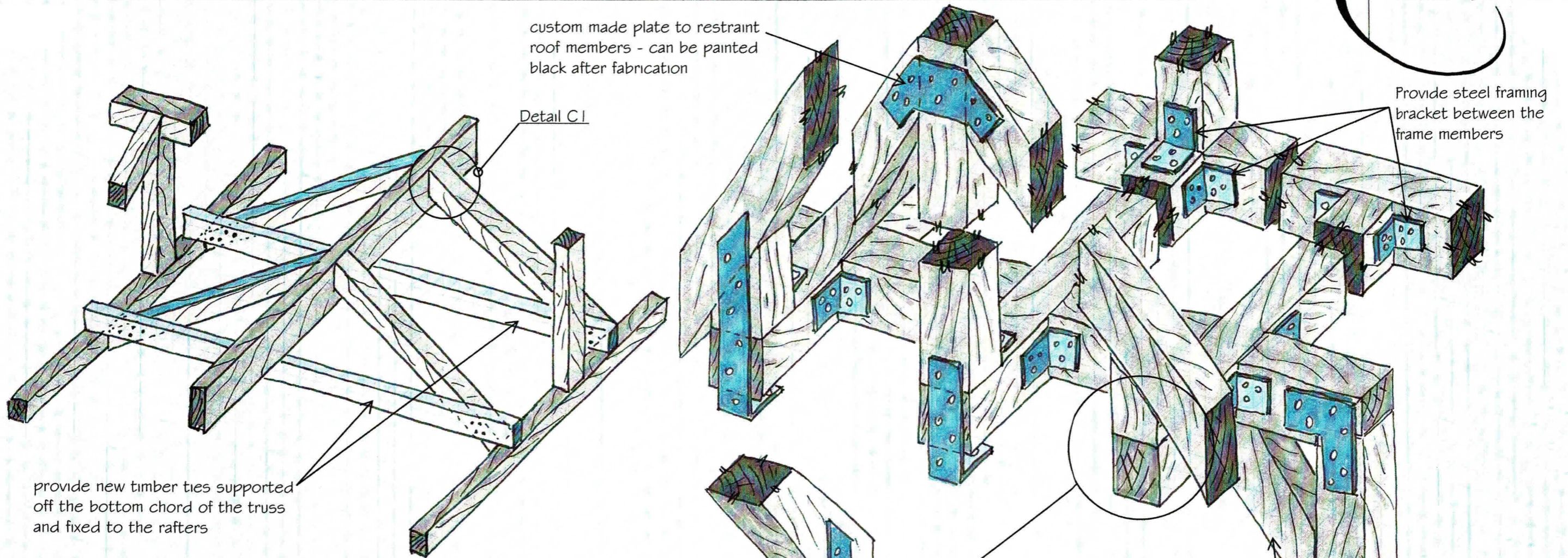


Detail B2

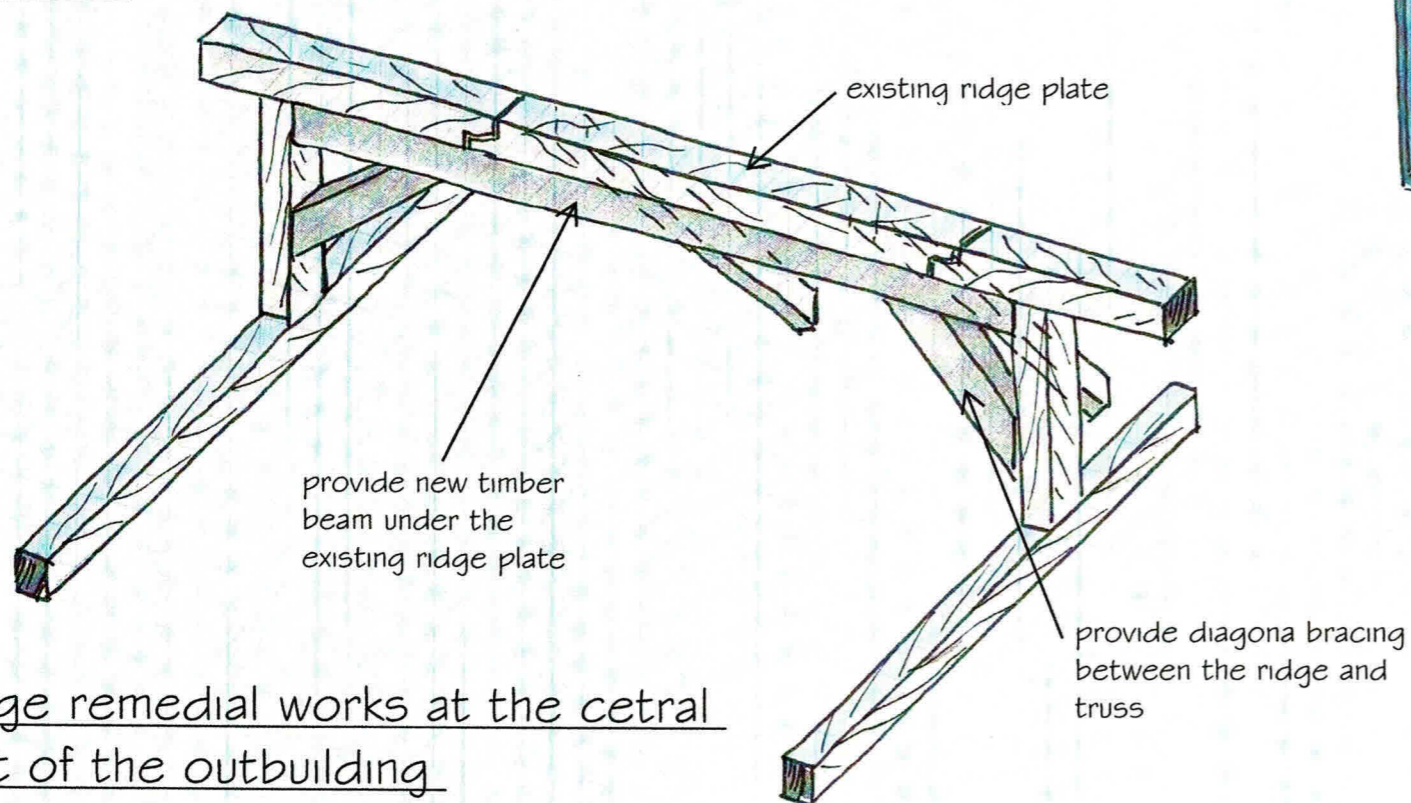


Detail D1





Tying of the rafters at the central part of the outbuilding
Detail E1



Ridge remedial works at the central part of the outbuilding
Detail E1